

# 4ch LWDM MUX AWG Chip

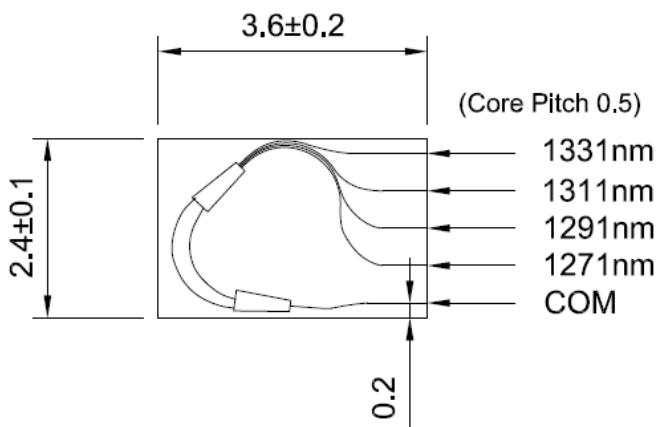
## FEATURES

- ◆ 4ch LWDM U-Type AWG Chip
- ◆ Low Insertion Loss
- ◆ High Reliability
- ◆ RoHS Compliant

## MECHANICAL SPECIFICATION

| Mechanical               | Size        |
|--------------------------|-------------|
| U-type Chip Size (500um) | 3.6mmx2.4mm |

| Parameter                   | Condition              | Unit     | Typ.   | Max. |
|-----------------------------|------------------------|----------|--|------|
| Spectral Region             | —                      | nm       | 1300nm Region  | —    |
| Channel Spacing             | ITU-G.694.2            | nm (GHz) | 20nm (3543GHz)   | —    |
| Channel Number              | —                      | CH       | 4  | —    |
| Center Wavelength           | CH1 ; CH2<br>CH3 ; CH4 | nm (THz) | 1271nm(235.87THz) ; 1291nm(232.22THz)<br>1311nm (228.67THz) ; 1331nm (225.24THz) | —    |
| Center Wavelength Accuracy  | —                      | nm       | ±1nm   | —    |
| Insertion Loss(Chip Only)   | Center Wavelength      | dB       | —  | 3.2  |
| Isolation                   | Adjacent CH            | dB       | N/A  | —    |
|                             | Non-adjacent CH        | dB       | N/A  | —    |
| Bandwidth                   | 1-dB Bandwidth         | nm(GHz)  | 10   | —    |
|                             | 3-dB Bandwidth         | nm(GHz)  | 15   | —    |
| Polarization Dependent Loss | —                      | dB       | 0.20   | 0.45 |
| Power Handling              | —                      | mW       | —  | 500  |
| Operation Temperature       | —                      | °C       | -10 ~ +85°C  |      |
| Storage Temperature         | —                      | °C       | -40 ~ +85°C  |      |



料号: ACH014S1NE08I

描述: 4ch-800GHz Mux UH\_W8 (3.6x2.4x1.0)